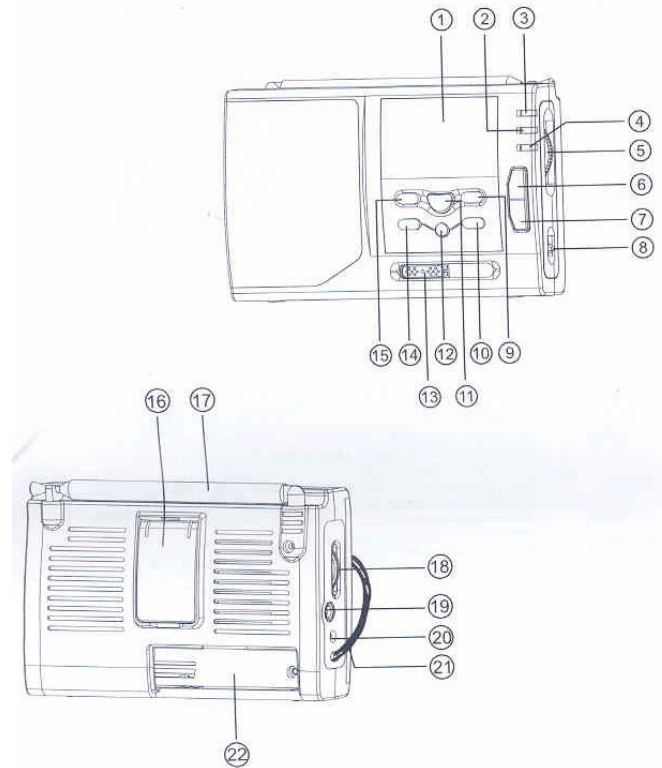


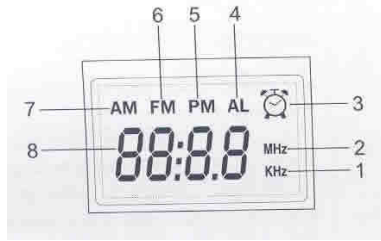
USER'S MANUAL 848

DIAGRAM & FUNCTION INDICATION



- | | |
|--------------------------|----------------------------|
| 1. Display screen | 12. Night light |
| 2. AM Indicator | 13. Band selector |
| 3. Tuning Indicator | 14. Time Set button |
| 4. FM Indicator | 15. Hour adjustment button |
| 5. Tuning Switch | 16. Supporting rack |
| 6. AM button | 17. Antenna |
| 7. FM button | 18. Volume control |
| 8. Power switch | 19. Earphone jack |
| 9. Min adjustment button | 20. D.C jack |
| 10. AL. Set button | 21. Hand strap |
| 11. AL. ON/OFF button | 22. Battery compartment |

LCD EXPLANATION



1. AM frequency indication
2. FM and SW unit indication
3. Alarm indicator
4. Alarm time set indication
5. P.M. display
6. AM unit indication
7. Time or Frequency display

INSTALL BATTERY

1. The radio uses two AA1.5V batteries, please put the new batteries in the battery slot according to the polarity.
2. If the sound is distorted or volume is faint, please change the batteries.

Attention :

1. Do not mix new and old batteries together.
2. In order to prevent the leakage of the electrolysis liquid or danger of explosion, do not charge, heat or resolve the batteries.
3. If you do not use the radio for a long time, please take out the batteries.

USE EXTERNAL POWER

Please use output DC 3V 300mA regulating external direct current power, check the polarity.

BASIC OPERATIONS

1. When you move the Power switch (8) to the position of ON, the radio begins to work. When you move the Power switch (8) to the position of OFF , the radio is turned off, the time is displayed the display screen.
2. Turn the Volume control (18) to adjust to your desired volume.

3. Press FM button (7) to receive the FM band program, the indicator (4) will light up.
4. Press AM button (6) to receive AM band program. Move the Band Switch (13) to select MW (left most), SW(1-8) station program.
5. After the band is selected, turn the Tuner (5) and watch the station frequency on LCD. Search your desired station program.
6. The Tuning Indicator (3) will light up, when you receive the correct station and the station signal is sufficiently strong.
7. If an earphone is plug-in (19), the speaker sound will be off and signal will be sent to earphone.
8. Use the support rack when necessary.
9. Press button (12) for night light.

TIME SET

1. After installing batteries, under the clock mode, the "12:00" appears on LCD.
2. Keep the Time set button (14) pressed, meanwhile press the Hour adjustment button (15) to adjust hour, (9) to adjust minute.
3. The time will be shown when the radio is off.
4. The 12 hours system is used in the radio. The PM on the display indicates afternoon time.

ALARM SET

1. Under the radio-off mode, keep and AL. SET button (10) pressed. Press the Hour adjustment button (15) to adjust hour and press the Minute adjustment button (9) to adjust the minute.
2. You can check the pre-set alarm time by pressing the AL. SET button under the radio mode.

WAKE-ON-RADIO

1. Turn off the radio and keep the radio in the clock mode.
2. Press the AL on/off switch button (11) once, the symbol of a clock displays on the screen, the wake-on-radio function begins to work. When the turn on time reaches, the radio will automatically turn on. The last band frequency will display on the screen.
3. When you use the wake-on-radio function to turn on the radio, press the AL on/off button (11) to cancel this function and turn off the radio.
4. When you use the wake-on-radio function to turn on the radio, the radio will automatically turn off after one hour.

ANTENNA

1. The radio receives MW by using the internal magnetic antenna. You can get the best reception by rotating the direction of the radio.
2. When you receive FM station, please pull out the telescopic antenna to get the best reception by changing its length and angle.
3. When you receive SW station, please pull out the telescopic antenna and keep it vertical to get better reception.

TECHNICAL INDEX

1. Frequency Range :
 - FM 87-108 MHz
 - AM 526.5 - 1606.5 KHz
 - SW 5.95 – 21.85 MHz
2. S.W Meter Band
 - 49m 5.95-6.20MHz 22m 13.60-13.80MHz
 - 41m 7.10-7.30MHz 19m 15.10-15.60MHz
 - 31m 9.50-9.90MHz 16m 17.50-17.90MHz
 - 25m 11.65-12.05MHz 13m 21.45 – 21.85 MHz
3. Noise Limit Sensitivity
 - FM $\leq 20\mu\text{V}$
 - AM $\leq 3\text{mV/m}$
 - SW $\leq 100\mu\text{V}$
4. Single Signal Selectivity $\leq 10\text{dB}$
5. Power : DC 3V or 2 x AA batteries
6. Speaker : 57mm/4ohm/0.25W
7. Unit Size : 118 x 74 x 26 mm
8. Weight : 160g (without battery)