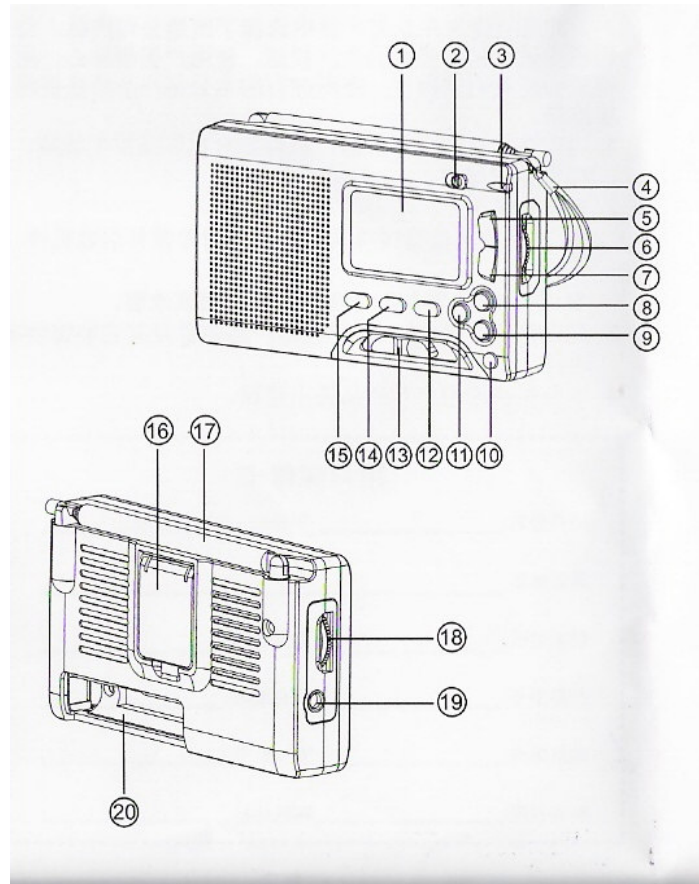


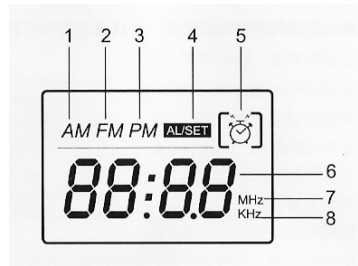
## USER'S MANUAL 551

### DIAGRAM & FUNCTION INDICATION



- |                     |                         |
|---------------------|-------------------------|
| 1. Display screen   | 12. Min set             |
| 2. FM/SCH           | 13. Band selector       |
| 3. Tuning indicator | 14. Hour set            |
| 4. Hand strap       | 15. Night light         |
| 5. FM/Power on      | 16. Supporting rack     |
| 6. Tuning knob      | 17. Antenna             |
| 7. AM/Power on      | 18. Volume control      |
| 8. AL. set          | 19. Earphone jack       |
| 9. AL. on/off       | 20. Battery compartment |
| 10. Power off       |                         |
| 11. Time set        |                         |

## LCD EXPLANATION



1. A.M. indicator
2. FM indicator
3. P.M. indicator
4. AL . set
5. AL on/off
6. Frequency or time display
7. SW/FM unit
8. AM unit

## INSTALL BATTERY

1. The radio uses two AAA1.5V batteries, please put the new batteries in the battery slot according to the polarity.
2. Close the battery compartment.
3. If the sound is distorted or volume is faint, please change the batteries.

### Attention :

1. Do not mix new and old batteries together.
2. In order to prevent the leakage of the electrolysis liquid or danger of explosion, do not charge, heat or resolve the batteries.
3. If you do not use the radio for a long time, please take out the batteries.

## BASIC OPERATIONS

1. Press the FM button (5) to turn on the radio and listen to FM stations. You can turn to SCH (64-82 MHz) by switch the FM/SCH button (2) .
2. Press the AM button (7) to turn on the radio and listen to AM/SW stations. Use the band selector (13) to switch between MW, SW1 or SW2.
3. Turn the Volume control (18) to adjust to your desired volume.

4. After the band is selected , turn the Tuning Knot (6) and watch the station frequency on LCD.  
Search your desired station program.
5. The Tuning Indicator (3) will light up when you receive the correct station and the station signal is sufficiently strong.
6. If an earphone is plug-in (19), the speaker sound will be off and signal will be sent to earphone.
9. Press button (15) for night light.

## **TIME SET**

1. After installing batteries, under the clock mode, the “12:00” appears on LCD.
2. Keep the Time set button (11) pressed, meanwhile press the Hour button (14) to adjust hour, (12) to adjust minute.
3. The time will be shown when the radio is off.
4. The 12 hours system is used on the radio.

## **ALARM SET**

1. Under the radio-off mode , keep and AL. SET button (8) pressed. Press the Hour button (14) to adjust hour and press the Minute button (12) to adjust the minute.
2. You can check the pre-set alarm time by pressing the AL. SET button under the radio mode.

## **WAKE-ON-RADIO**

1. Turn off the radio and keep the radio in the clock mode.
2. Press the AL on/off switch button (9) once , the symbol of a clock displays on the screen, the wake-on-radio function begins to work. When the turn on time reaches, the radio will automatically turn on. The last band frequency will display on the screen.
3. When you use the wake-on-radio function to turn on the radio, press the AL on/off button (9) to cancel this function and turn off the radio.
4. When you use the wake-on-radio function to turn on the radio, the radio will automatically turn off after one hour..

## **ANTENNA**

1. The radio receives MW by using the internal magnetic antenna. You can get the best reception by rotating the direction of the radio.
2. When you receive FM station, please pull out the telescopic antenna to get the best reception by changing its length and angle.

3. When you receive SW station, please pull out the telescopic antenna and keep it vertical to get better reception.

## **TECHNICAL INDEX**

1. Frequency Range :
  - FM 82-108 MHz
  - SCH 64-82 MHz
  - AM 526.5 - 1606.5 KHz
  - SW1 11.65 – 13.80 MHz
  - SW2 15.10 – 17.90 MHz
2. Noise Limit Sensitivity
  - FM  $\leq 20\mu\text{V}$
  - AM  $\leq 4\text{mV/m}$
  - SW  $\leq 100\mu\text{V}$
3. Single Signal Selectivity  $\geq 10\text{dB}$
4. Power : 2 x AAA batteries
5. Speaker : 45mm/8ohm/0.25W
6. Unit Size : 100 x 60 x 22 mm
7. Weight : 105g ( without battery)