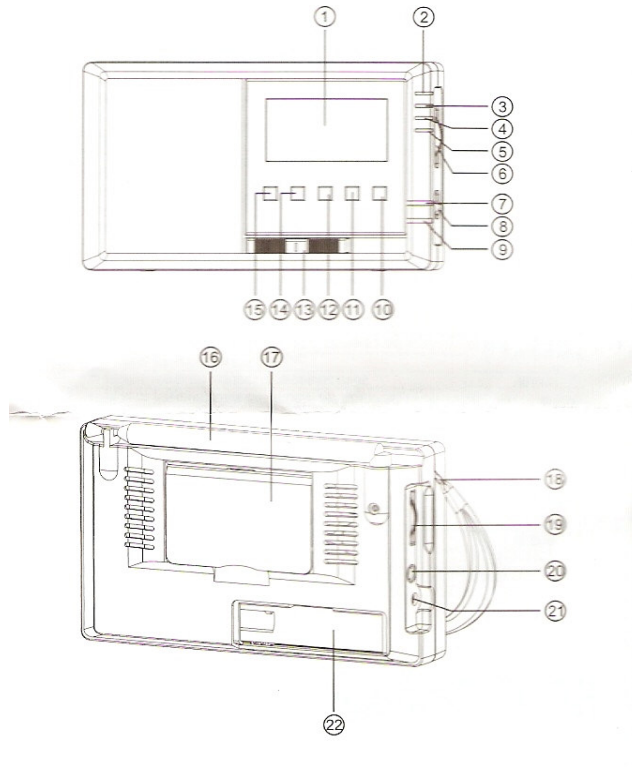


# Kchibo KK-9703

## Function Indication

### 外观图与功能指示



|                   |                         |
|-------------------|-------------------------|
| 1. Display Screen | 12. Time Set            |
| 2. Tuning Led     | 13. Band Selector       |
| 3. SW Led         | 14. Alarm Set           |
| 4. AM Led         | 15. Alarm On/Off        |
| 5. FM Led         | 16. Antenna             |
| 6. Tuning Knob    | 17. Supporting Rack     |
| 7. AM Band        | 18. Hand Strap          |
| 8. Power On/Off   | 19. Volume Control      |
| 9. FM Band        | 20. Earphone Jack       |
| 10. Hour          | 21. External Power Jack |
| 11. Minute        | 22. Battery Compartment |