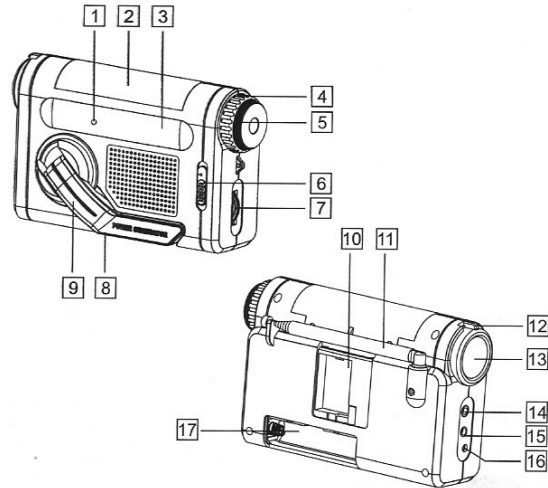


USER'S MANUAL Kchibo KK-P01

DIAGRAM & FUNCTION INDICATION



- | | |
|-----------------------------|---|
| 1. Tuning Indicator | 10. Battery Compartment (Lithium Battery) |
| 2. Night Light | 11. Antenna |
| 3. Display Window | 12. Night Light/Torch Power Button |
| 4. Fast Tuning Knob | 13. Torch |
| 5. Fine Tuning Knob | 14. Earphone Jack |
| 6. Band Selector | 15. D.C. Output |
| 7. Power and Volume Control | 16. External Power Jack |
| 8. AA/Li Battery Switch | 17. Battery Compartment(AA batteries) |
| 9. Power Handle | |

POWER SUPPLY

This radio can be powered up by AA batteries, Lithium battery , external D.C. power or hand crank.

AA Battery

1. Insert 2 AA batteries into the battery compartment. Turn the AA/Li Switch to AA position.

Lithium Battery

1. Insert the lithium battery into the battery compartment. (By default the battery has been installed) .
Turn the AA/Li Switch to Li position.

2. To recharge the lithium battery, connect the 220V AC/DC adapter to the radio. It will take about 2.5 hours to recharge the lithium battery.
3. To recharge the lithium battery by hand crank, rotate the Power Handle continuously in either direction.

Note : Please make sure the AA/Li Switch is on Li position when you are going to recharge the lithium battery. For every one minute' s rotation , the radio can operate for about 15 minutes.

External DC Power

1. Connect the 220V AC/DC power adapter to wall socket.
2. Connect the power adapter with the radio.
3. Turn the AA/Li Switch to Li position.

RADIO OPERATIONS

1. Turn on the radio with the Power and Volume Switch (7) .
2. Select the band (FM/MW/SW) with Band Selector (6)
3. Search the station through the Fast (4) or the Fine Tuning Knob(5).

ANTENNA

1. The radio receives MW by using the internal magnetic antenna. You can get the best reception by rotating the direction of the radio.
2. When you receive FM station, please pull out the telescopic antenna to get the best reception by changing its length and angle.
3. When you receive SW station, please pull out the telescopic antenna and keep it vertical to get better reception.

TORCH/NIGHT LIGHT

1. Turn the Night Light/Torch button to Torch position to turn on the Torch.
2. Turn the Night Light/Torch button to Night Light position to turn on the Night Light.

PHONE CHARGER

1. When AA/Li Battery Switch is in AA position, the radio can supply 6V D.C. either through its internal batteries or by hand crank.
2. When AA/Li Battery Switch is in Li position, the radio can supply 5-6V D.C. through hand crank only. (When cable is disconnected, it will recharge the lithium battery.)

3. Connect the cell phone with the radio. Choose one of the above methods to recharge your cell phone.

TECHNICAL INDEX

1. Frequency Range :
 - FM 70-108 MHz
 - AM 526.5 - 1606.5 KHz
 - SW 9.50 – 15.60 MHz
2. Noise Limit Sensitivity
 - FM $\leq 22\text{dBu}$
 - AM $\leq 72\text{dBu}$
 - SW $\leq 40\text{dBu}$
3. Single Signal Selectivity $\geq 10\text{dB}$
4. Power : DC 5V , 2 x AA batteries or 3.7V/300mAh lithium battery
5. Speaker : 40mm/16ohm/0.25W
6. Unit Size : 130 x 87 x 40 mm
7. Weight : 260g (without battery)