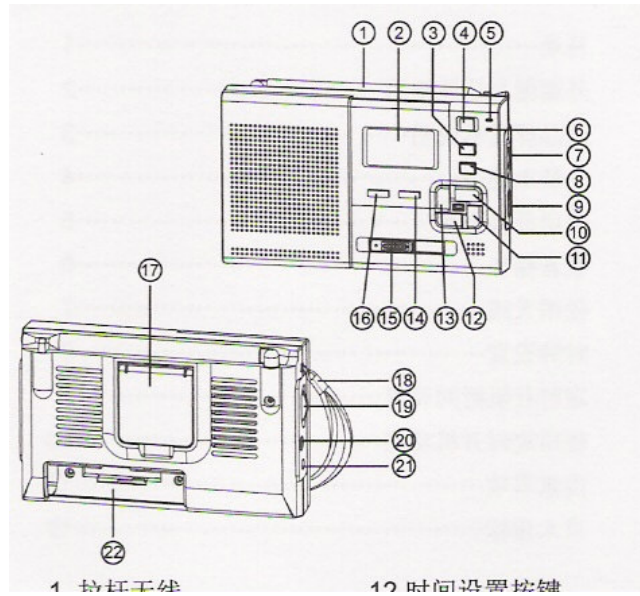


USER'S MANUAL Kchibo KK-9901S

DIAGRAM & FUNCTION INDICATION



- | | |
|---------------------|-------------------------|
| 1. Antenna | 12. Time Set |
| 2. LCD Display | 13. Night Light |
| 3. FM/Power On | 14. Min |
| 4. Power Off | 15. Band Selector |
| 5. Led Indicator | 16. Hour |
| 6. Stereo Indicator | 17. Supporting Rack |
| 7. Tuning Knob | 18. Hand Strap |
| 8. AM / Power On | 19. Volume Control |
| 9. FM/FM 1 Switch | 20. Earphone Jack |
| 10. AL. Set | 21. External Power Jack |
| 11. AL. On/Off | 22. Battery Compartment |

INSTALL BATTERY

1. The radio uses two AA1.5V batteries, please put the new batteries in the battery slot according to the polarity.
2. If the sound is distorted or volume is faint, please change the batteries.

USE EXTERNAL POWER

Please use output DC 3V 300mA regulating external direct current power, check the polarity.

BASIC OPERATIONS

1. Press FM /Power On button (3) to receive the FM band program. Switch between FM and FM1 by pressing the button (9) .
2. Press AM/Power On button (8) to receive AM band program. Under AM mode, move the Band selector (15) to select among MW, and SW1-7.
3. Turn the Volume Control (19) to adjust the volume.
4. Turn the Tuning Knob (7) to search for the required station.
5. The Tuning indicator (5) will light up , when you receive the correct station and the station signal is sufficiently strong.
6. You may turn on the night light by pressing the button (13).
7. You can enjoy stereo FM reception when earphone is plug-in (20). The Stereo Indicator (6) will light up.
8. Press button (4) to turn off the radio.
9. Use the support rack when necessary.

ANTENNA

1. The radio receives MW by using the internal magnetic antenna. You can get the best reception by rotating the direction of the radio.
2. When you receive FM station, please pull out the telescopic antenna to get the best reception by changing its length and angle.
3. When you receive SW station, please pull out the telescopic antenna and keep it vertical to get better reception.
4. You can improve the FM and SW reception through the wiring antenna.

TIME SET

1. After installing batteries, under the clock mode, the “12:00” appears on LCD.
2. Keep the Time set button (12) pressed, meanwhile press the Hour adjustment button (16) to adjust hour, (14) to adjust minute.
3. Under the radio mode, long press the AL Set button (12) to see the time.
4. The 12 hours system is used for the radio.

ALARM SET

1. Under the radio-off mode , keep and AL. Set button (10) pressed.
2. Press the Hour adjustment button (16) to adjust hour and press the Minute adjustment button (14) to adjust the minute.
3. You can check the pre-set alarm time by pressing the AL. SET button (10) under the radio mode.

WAKE-TO-RADIO

1. Under the clock mode, press the AL On/Off switch button (11) once , the symbol of a clock displays on the screen, the wake-to-radio function begins to work. When the turn on time reaches, the radio will automatically turn on to the last FM/FM 1 station.
2. When you use the wake-to-radio function to turn on the radio, the radio will automatically turn off after one hour..
3. If you would like to turn off the radio earlier, press the AL. ON/OFF button (11).

TECHNICAL INDEX

1. Frequency Range :
 - FM 82-108 MHz
 - FM1 70-82 MHz
 - AM 526.5 - 1606.5 KHz
 - SW 7.10 – 21.85 MHz
2. S.W Meter Band
 - SW1 7.10-7.30 MHz SW5 15.10-15.60 MHz
 - SW2 9.50-9.90 MHz SW6 17.50-17.90 MHz
 - SW3 11.65 – 12.05 MHz SW7 21.45-21.85 MHz
 - SW4 13.60-13.80 MHz
3. Noise Limit Sensitivity
 - FM \leq 18dBu
 - AM \leq 70dBu
 - SW \leq 40dBu
4. Single Signal Selectivity \geq 20dB
5. Power : DC 3V or 2 x AA batteries
6. Speaker : 57mm/12ohm/0.5W
7. Unit Size : 118 x 72 x 25 mm
8. Weight : 160g (without battery)