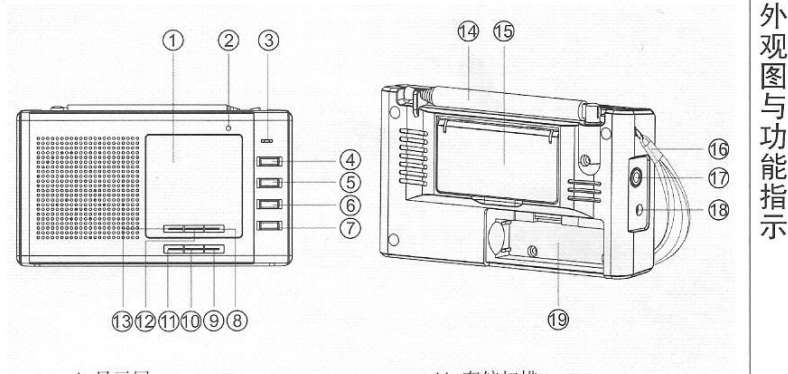


## DSP.RADO D91L Operating Instructions

### Radio design :



外观图与功能指示

1. LCD Display	11. Scan
2. Reset	12. M -
3. Power Light	13. M +
4. Up/ Time +	14. Antenna
5. Down/Time -	15. Supporting Rack
6. Volume +	16. Hand Strap
7. Volume -	17. Earphone Jack
8. Band/ Time Set	18. DC Jack
9. Power/Sleep	19. Battery Compartment
10. Memory/AL Time Set	

### Battery Installation :

1. Open the cover of the battery compartment and insert the battery in accordance with the polarity.
2. Close the cover.

Note :

1. Please recharge battery when the volume is low.
2. Please replace battery within 10 seconds, otherwise memory preset will be lost.
3. Recharge time takes around 4 hours. The radio can operate for 5 hours.
4. Please charge one battery at one time only.

### Battery Recharge :

Through the charger :

1. Insert the battery into the charger.
2. Connect the charger with the wall socket.
3. When charging, the led is in red. When finished, the led will turn to green.
4. When finished, please disconnect the charger from power source.

To charge the battery inside the radio :

1. Connect one end of the power charger with the wall socket and the other end to the radio.
2. You can see the charging icon on the radio blinking .
3. The icon will stop to blink when the battery has been fully charged.

### **Power On/Off :**

Short press the Power button (9) to turn on the radio. The Power light (3) will go on. Turn off the radio by pressing the same button again.

### **Volume Control :**

1. The radio uses electronic volume control.
2. Under the radio mode, press the Volume + (6) to increase the volume. Press the volume – (7) to decrease the volume. ( Volume Level : 0- 39)

### **Band Selection:**

Under the radio mode, press the Band Selection button (8) to switch between AM and FM.

### **Use of Antenna :**

1. AM : The built-in magnetic antenna inside the radio is used. Rotate body to get best reception.
2. FM : Extend the antenna. Try different angles to get the best reception
3. The earphone can work as antenna. Connect the earphone with the radio and extend the wiring for better reception.

### **Auto Search :**

Under the radio mode, press and hold the Up button (4) or Down button (5) for 2 seconds. The radio will automatically search and stop at the next station. You may stop the search anytime by pressing the any button.

### **Manual Search :**

Press UP (4) or DOWN (5) once at a time until you locate the station. For each time you press, the frequency will increase or decrease by one step.

### **Memory Presets :**

Use either method to search for the station.

1. Press the Memory button (10) , the display “PRESET” will blink.
2. Press M+ (13) or M- (12) to select the channel.

3. Press the Memory button (10) again to confirm.

#### **Auto Scan and Store :**

1. Under the radio mode, press the Scan button (11) , the radio will automatically search and store all channels .
2. You may stop the search anytime by press the Scan button (11) again.
3. The radio will turn to the last station when the scanning is finished.

#### **Memory Recall :**

1. Under the radio mode, select the Band (8).
2. Press the M+ (13) or M- (12) to recall the memory preset.

#### **Time Set :**

1. Under the radio off mode, press Time Set button (8) once, the hour digit will blink. Press the Time + (4) or Time – (5) to set the hour.
2. Press the Time Set button (8) twice , the minute digit will blink. Press the Time +(4) or Time -(5) to set the minute.

(Note : The radio uses 24 hours system)

#### **Year Set :**

1. Press the Time Set button (8) the third time. The year digit will blink.
2. Press the Time +(4) or Time – (5) to set the year.

#### **Month Set :**

1. Press the Time Set button (8) the fourth time. The month digit will blink.
2. Press the Time +(4) or Time – (5) to set the month.

#### **Date Set :**

1. Press the Time Set button (8) the fifth time. The date digit will blink.
2. Press the Time +(4) or Time – (5) to set the date.

#### **Alarm Time Set :**

1. Under the radio off mode, press AL Time Set button (10) once, the alarm icon will show up. .
2. Press the Time Set button (8) once , the hour digit will blink. Press the Time +(4) or Time -(5) to set the hour.
3. Press the Time Set button (8) second time, the minute digit will blink. Press the Time + (4) or Time- (5) to set the minute.

**Alarm On/Off :**

1. Under radio off mode, press the AL Time Set button (10) to turn on the function. You will see the Alarm icon displayed.
2. The radio will turn on at the preset time and turn off in 90 minutes. .
3. Press the Power button if you would like to turn off the radio earlier.

**Sleep Function :**

1. Under the radio off mode , long press Sleep (9) button to turn on the radio. The sleep icon and “90” min will appear.
2. Press Sleep (9) button to adjust the sleep time in the following order :  
90-80-70-60-50-40-30-20-10- cancel . The radio will shut off at the preset time.
3. You can turn off the radio by press the Power(9) button if you would like to turn off the radio early.

**Specifications :**

1. Frequency Range
  - o FM 65-108 MHz
  - o AM 522 - 1710 KHz (9KHz)
2. Memory preset (60)
  - o FM (30), AM(30)
3. Noise Limit Sensitivity
  - o FM  $\leq 2\mu\text{V}$
  - o AM  $\leq 1.5\text{mV/m}$
4. S/N Radio : FM – 68dB , AM- 48dB
5. Single Signal Selectivity  $\geq 40\text{dB}$
6. Power : DC 5V or lithium battery KL-02 (3.7V/300mAh)
7. Speaker : 45mm/12ohm/0.5W
8. Earphone jack : 3.5mm 32ohm
9. Measurement : 108 x 61 x 20mm
10. Weight : 110g (excluding batteries)