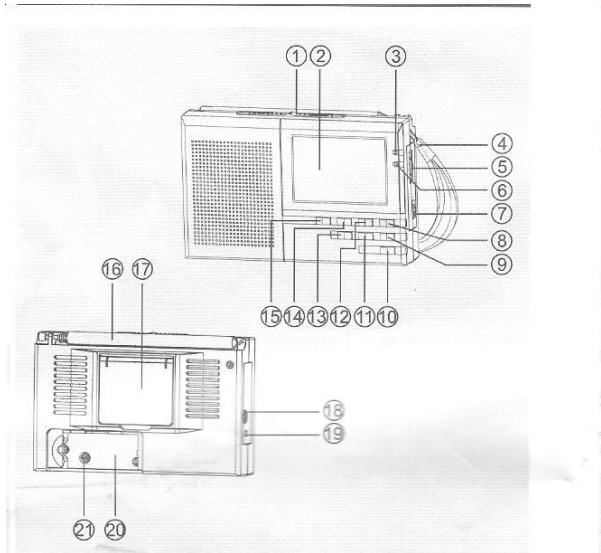


Kaide KK-6808L Operating Instructions

Radio design :



1. Band Selector	12. Time Set
2. LCD Display	13. Volume -
3. Power Led	14. AL. Time
4. Hand Strap	15. Key Lock
5. Tuning Knob	16. Antenna
6. Tuning Led	17. Supporting Rack
7. FM/FM1	18. Earphone
8. FM/Time +	19. External Power Jack
9. AM/Time -	20. Battery Compartment
10. Power/Sleep	21. Reset
11. Volume +	

POWER

Battery installation :

1. Open the cover of the battery compartment and insert the battery in accordance with the polarity.
2. Please recharge battery if volume is low.

Battery recharge :

Through the charger :

1. Insert the battery into the charger.
2. Connect the charger with the wall socket.
3. When charging, the led is in red. When finished, the led will turn to green.

4. When finished, please disconnect the charger from power source.

To charge the battery inside the radio :

1. Connect one end of the power charger with the wall socket and the other end to the radio.
2. You can see the charging icon on the radio blinking .
3. The icon will stop to blink when the battery has been fully charged.

Note :

1. It will take about 5 hours to recharge the battery.
2. You cannot listen to the radio if you are charging the battery inside the radio.
3. The charger works for battery recharge only. It cannot provide external power to the radio.

RADIO LISTENING

Power on/off :

Short press the Power/Sleep button (10) to turn on the radio. You can turn off the radio by pressing the same button.

Volume control :

You can adjust the volume through the volume + (11) or volume – (13)

Band selection:

Under the radio mode, press the FM (8) button to receive FM stations. Press the FM/FM 1 (7) button to select sub-bands.

Press the AM (9) button to receive AM stations. Then choose AM, SW 1-7 with the Band Selector (1).

Search station :

When you have selected the band, you can manual search the radio with the tuning knob (5) . You can watch the led (6) to assist the tuning.

Reset :

You may need to use a needle to press the Reset (21) button if you encounter the following situations.

1. The screen does not have any display.
2. Buttons do not work.

Backlight :

You can press any key to turn on the backlight. It will stay on for a few seconds.

USE OF ANTENNA

1. AM : The built-in magnetic antenna inside the radio is used. Rotate body to get best reception.
2. FM : Extend the antenna. Try different angles to get the best reception
3. SW : Extend the antenna. Make the antenna vertical.

TIME SETTING

The radio takes 24 hours system.

1. Under the radio off mode, press the AL. Time Set (14) to cancel it if you see the alarm icon appeared on the display. (You can not set the clock if the alarm function has been turned on.)
2. Press the Time Set (12) button once, you will see the hour digit blinking. Press the Time+ (8) or the Time – (9) to adjust the hour.
3. Press the Time Set (12) again . You will see the minute digit blinking. Press the Time + (8) or the Time -(9) to adjust the minute.

CALENDAR

Year set :

1. Press the Time Set (12) button three times, you will see the Year blinking.
2. Press the Time + (8) or the Time – (9) to set the year.

Month set :

1. Press the Time Set (12) the fourth time, you will see the Month blinking.
2. Press the Time + (8) or the Time – (9) to set the month.

Day set :

1. Press the Time Set (12) the fifth time, you will see the Day blinking.
2. Press the Time + (8) or the Time – (9) to set the day.

WAKE-TO-RADIO

Alarm time set :

1. Under radio off mode, press the AL Time Set (14) button. You will see the alarm icon.
2. Press the Time Set (12) once. The hour digit will blink. Press the Time + (8) or the Time – (9) to adjust the hour.

3. Press the Time Set (12) second time. The minute digit will blink. Press the Time + (8) or the Time – (9) button to adjust the minute.

Alarm on/off :

1. Under radio off mode, press the AL Time Set (14) button. You will see the alarm icon.
2. The radio will automatically turn on at the preset time.
3. The radio will automatically turn off in 90 minutes operation. You may turn off the radio anytime by press the Power button.

SLEEP FUNCTION

1. Under the radio off mode , long press Power/Sleep (10) button to turn on the radio. The sleep icon and “90” min will appear.
2. Press Power/Sleep (10) button to adjust the sleep time in the following order :
90-80-70-60-50-40-30-20-10- 0(cancel) . The radio will shut off at the preset time.
3. You can turn off the radio by press the Power/Sleep (10) button if you would like to turn off the radio earlier.

SPECIFICATIONS

1. Frequency Range
 - FM1 70-82 MHz
 - FM 82 -108 MHz
 - AM 526.50- 1606.50 KHz
 - SW 7.10 – 21.85 MHz
2. SW Meter Ban
 - SW1 7.10 – 7.30 MHz
 - SW2 9.50 – 9.90 MHz
 - SW3 11.65-12.05 MHz
 - SW4 13.60-13.80 MHz
 - SW5 15.10-15.60 MHz
 - SW6 17.50-17.90 MHz
 - SW7 21.45-21.85 MHz
3. Noise Limit Sensitivity
 - FM \leq 20dBu
 - AM \leq 3mV/m
 - SW \leq 40dBu

4. Single Signal Selectivity $\geq 10\text{dB}$
5. Power : DC 5V or 1 x KL-01 lithium battery (3.7V/550mAh)
6. Speaker : 57mm/4ohm/0.5W
7. Earphone jack : 3.5mm 32ohm
8. Measurement : 126 x 79 x 25mm
- 9 . Weight : 180g (excluding batteries)