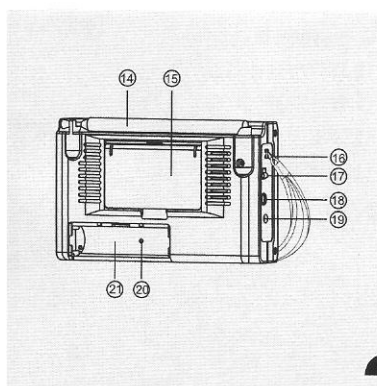
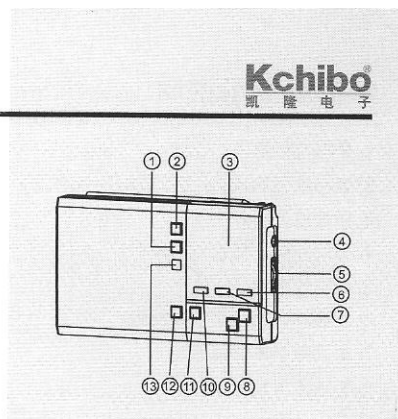


KK-E350 Operating Instruction

Radio design :

外观图与功能指示

1. 锁定开关
2. 电源开关/睡眠关机按键
3. 显示屏
4. 外接天线插孔
5. 音量调节旋钮
6. 存储电台号码+
7. 存储电台号码-
8. 向上调谐
9. 向下调谐
10. 存储电台



11. 存储扫描/定时开机
12. 波段转换/模式
13. 智能感光窗
14. 拉杆天线
15. 支撑架
16. 手挽带
17. 远/近程开关
18. 耳机插孔
19. 外接电源插孔
20. 复位键
21. 电池仓

1. Key Lock	11. Scan/ Alarm
2. Power/Sleep	12. Band/ Mode
3. Display	13. Light Sensor
4. External Antenna Jack	14. Antenna
5. Volume Control	15. Supporting Rack
6. M +	16. Hand Strap
7. M -	17. Local /DX
8. Up	18. Earphone Jack
9. Down	19. External Power Jack
10 Memory	20. Reset
	21. Battery Compartment

BATTERY OPERATION

Battery Installation :

1. Open the battery compartment cover and insert two AA batteries.

2. Close the compartment cover.

Battery Replacement

1. When volume becomes wake, please replace batteries.
2. The replacement process should be completed in 15 seconds, otherwise the memory of the radio will be lost.

RADIO LISTENING

Power On/Off :

Short press the Power/Sleep button (2) to turn on the radio. You can turn off the radio by pressing the same button.

Volume Control :

Under the radio mode, adjust the volume knob (5) to set the required sound level.

Band Selection:

Under the radio mode, press the Band/Mode button (12) to switch between FM, AM and SW.

Auto Scan & Store :

Under the radio mode, press the Scan button (11) to start searching. The radio will automatically store all the stations it found. You may stop the searching process any time by pressing the Scan button (11) again.

Manual Search :

Press Up (8) or Down (9) once at a time until you locate the station. For each time you press, the frequency will increase or decrease by one step.

Auto Search :

1. Under the radio mode, press and hold the Up button (8) or Down button (9) for 2 seconds , the

radio will automatically search and stop at the next station.

2. You may stop the search anytime by pressing the Up (8) or Down (9) button again.

Memory Presets :

1. Search the station using manual or auto search.
2. Press the Memory button (10) , the LCD indicator “MEMORY” will blink.
3. Select the channel to store through M+ (6) or M- (7).
4. Press the Memory button (10) again to confirm.

(Each band can store 10 stations)

Memory Recall :

1. Press the Band/Mode button (12) to select the band.
2. Press the M+ (6) or M- (7) to recall to the stored channel.

Backlight :

User can press any button to turn on the backlight. The backlight will stay on for 10 seconds. The built-in light sensor (13) will adjust automatically the brightness of the backlight.

TIME SETTING

1. Press the Band/Mode (12) button once. The hour digit will blink. Press the Up (8) or Down (9) button to set the hour.
2. Press the Band/Mode (12) button twice. The minute digit will blink. Press the Up(8) or Down(9) button to set the minute.

ALARM SETTING

1. Under the clock mode, press the Band/Mode (12) button three times. The alarm indicator and hour digit will blink. Press the Up(8) or Down(9) to set the hour.
2. Under the clock mode, press the Band/Mode (12) button four times. The alarm indicator and minute digit will blink. Press the Up(8) or Down(9) to set the minute.

WAKE-TO-RADIO

1. Under the clock mode, press the Scan/Alarm (11) button once to turn on the wake-to-radio mode.
2. The radio will turn on automatically at the preset time.
3. The radio will turn off automatically after two hours operation.
4. User can turn off the radio earlier by pressing the Power/Sleep(2) button.

SLEEP FUNCTION

1. Under the clock mode , long press Power/Sleep (2) button to turn on the radio. The sleep icon and “90” min will show up.
2. Press Power/Sleep (2) button to adjust the sleep time in the following order :
90-80-70-60-50-40-30-20-10- cancel . The radio will turn off at the preset time.
3. You can turn off the radio by pressing the Power/Sleep (2) button if you would like to turn off the radio earlier.

SPECIFICATIONS

1. Frequency Range
 - FM 64-108 MHz
 - TV2-TV5 CH
 - AM 522 - 1611 KHz (9k tuning step)
 - SW 5.95 – 17.90 MHz
2. Memory Preset (30)
 - FM (10), AM(10), SW (10)
3. Noise Limit Sensitivity
 - FM $\leq 20\mu\text{V}$
 - AM $\leq 5\text{mV/m}$
 - SW $\leq 100\mu\text{V}$
4. Single Signal Selectivity $\geq 40\text{dBu}$
5. Power : DC 3V or 2 x AA batteries
6. Power Consumption : $< 200\text{mA}$
7. Speaker : 57mm/12ohm/0.5W
8. Earphone jack : 3.5mm 32ohm
9. Measurement : 118 x 72 x 25mm
10. Weight : 155g (excluding batteries)