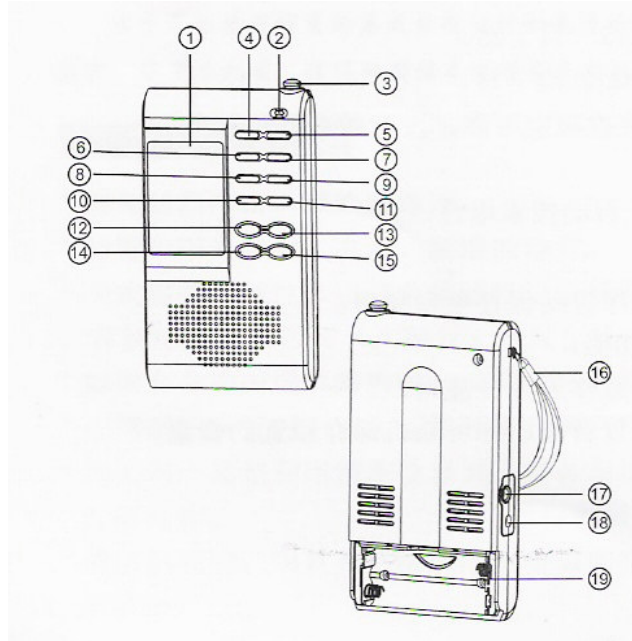


KK-E220 Operating Instructions

Radio design :



1. LCD Display	11. Scan / AL On/Off
2. Reset	12. Down
3. Antenna	13. Up
4. Night Light	14. Volume -
5. Power/Sleep	15. Volume +
6. Key Lock	16. Hand strap
7. Band/Mode	17. Earphone
8. M-	18. D.C. Jack
9. M+	19. Battery Compartment
10. Memory	

Battery Installation :

1. Please install 2AAA batteries.
2. Please replace batteries if the volume is too low.
3. Please replace your batteries within 30 seconds, otherwise all memory will be lost.

Radio Reception :

Power On/Off

Press the Power (5) button to turn on or off the radio.

Volume Control

Press Volume + (15) and Volume- (14) to adjust the volume.

Band Selection:

Under the radio mode, press the Band button (7) to switch between FM, MW and SW.

Frequency Step :

FM : 0.1MHz

MW : 9KHz

SW : 0.005MHz

Auto Search :

1. Turn on the radio
2. Select the band.
3. Press Up (13) or Down(12) for 2 seconds. Scanning will stop at the next station.
4. Press Up (13) / Down(12) anytime to stop the searching process.

Manual Search :

1. Turn on the radio
2. Select the band
3. Press Up (13) or Down (12) until you locate the station. For each time you press, the frequency will increase or decrease by one step.

Auto Scan :

1. Under the radio mode, press the scan button (11) , the radio will automatically search and store all channels until memory full.
2. You may stop the search anytime by press the scan button (11) again.

Memory Presets :

1. Use auto or manual search to locate the station.
2. Press the MEMORY button (10) , the LCD indicator will blink.
3. Press M+(9) or M-(8) to select the channel. Press the Memory button (10) again to confirm.

Memory Recall :

Under the radio mode, press the Band (7) button to select the band. Press the M+ (9) or M-(8) to select the stored channel.

Use of Antenna :

1. AM : The built-in magnetic antenna inside the radio is used. Rotate body to get best reception.
2. FM : Extend the antenna. Try different angles to get the best reception
3. SW : Extend the antenna.

Time setting :

This unit adopts 24 hours system.

1. When batteries are installed, the “12:00” will display.
2. Under the clock mode, press the Mode (7) button . The hour digit will blink. Press the Up (13) or Down (12) button to set the hour . Long press for fast moving.
3. Press the Mode (7) button again. The minute digit will blink. Press the Up (13) or Down (12) button to set the minute.

Alarm Time Set :

Alarm Time Setting :

1. Under the clock mode, press Mode button (7) three times . You will see the alarm icon and hour digit blinks. Press the Up (13) or Down (12) to set the hour.
2. Press the Mode button (7) again , the minute digit will blink. Press the Up (13) or Down(12) to set the minute.

Alarm On/Off

1. Under the clock mode , Press the AL ON/OFF(11) button to turn on the alarm .
2. The radio will turn on at the preset time.
3. The radio will turn off after two hours' operation.

Sleep Function :

1. Under the clock mode , long press Sleep (5) button once to turn on the radio. The sleep icon and “90” min will appear.
2. Press Sleep (5) button again to adjust the sleep time in the following order :
90-80-70-60-50-40-30-20-10- cancel . The radio will shut off at the preset time.
3. You can turn off the radio by press the Power(5) button if you would like to turn off the radio early.

Specifications :

1. Frequency Range
 - FM 87.50 -108 MHz
 - AM 522 - 1611 KHz
 - SW 5.95 – 17.90 MHz
2. Memory preset (30)
 - FM (10), AM(10) , SW(10)
3. Noise Limit Sensitivity
 - FM $\leq 20\text{dBu}$
 - AM $\leq 5\text{mV/m}$
 - SW $\leq 40\text{dBu}$
4. Single Signal Selectivity $\geq 10\text{dB}$
5. Power : DC 3V or 2 x AAA batteries (not included)
6. Speaker : 40mm/8ohm/0.5W
7. Earphone jack : 3.5mm 32ohm
8. Measurement : 103 x 57 x 20 mm
9. Weight : 95g (excluding batteries)