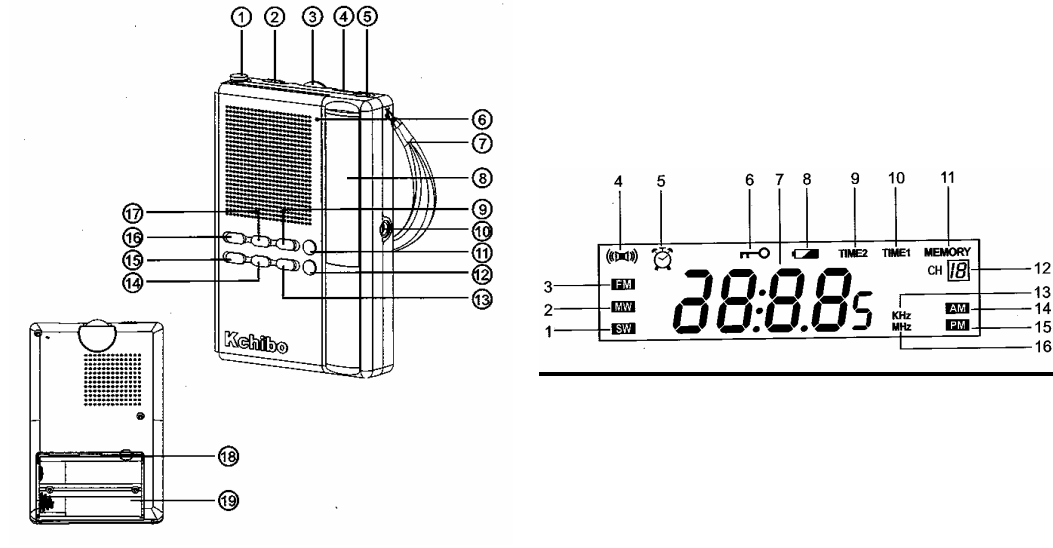


KK-E202 Operating Instructions

Image illustration :



1. Antenna	12. Search DOWN / Min
2. Key Lock	13 M -
3. Volume Control	14. SLEEP
4. Stereo/ Mono Switch	15. BAND/ Dual Clock
5. Earphone Jack	16. Power ON/OFF
6. Reset	17. MEMORY / Time Set
7. Hand Strap	18. 9/10 KHz Switch
8. LCD Display	19. Battery Compartment
9. M +	
10 D.C. Jack	
11. Search UP / Hr	

LCD display :

1. SW Indicator	9. Time 2 Indicator
2. AM Indicator	10. Time 1 Indicator
3. FM Indicator	11. Memory Indicator
4. Stereo Indicator	12. Channels Indicator
5. Alarm Clock Indicator	13. AM Unit Indicator

6. Key Lock Indicator	14. A.M Time
7. Frequency and Time Display	15. P.M. Time
8. Low Battery Indicator	16. FM and SW unit Indicator

Battery Installation :

1. Please install 2AA batteries.
2. Please replace batteries when you see the low battery indicator.
3. Please replace your batteries within 30 seconds, otherwise all memory will be lost.

Operations :

Power :

Press the Power ON/OFF button (16) to switch on or off the radio. Please make sure to unlock the key lock button. (2)

Volume Control :

Tune the suitable volume through the volume control (3)

9/10K tuning step adjustment:

You may switch between 9/10K AM tuning step by switch located at the battery compartment. Please remove the battery before assessing this switch. China , Europe , Africa are using 9K step and U.S , Canada are using 10K step.

Band Switch :

Press the BAND button (15) to switch between FM – AM – SW .

Station Search

Manual Search :

1. Turn on the radio
2. Select the band (15)
3. Press UP (11) or DOWN (12) until you locate the station.

Auto Search :

1. Turn on the radio
2. Select the band by pressing (15)

3. Long press UP(11) or DOWN(12) until it stops at the next station
4. You may stop the searching process anytime by pressing (11) or (12)

Memory Preset :

1. Use auto or manual search to locate the station.
2. Press the MEMORY button (17) , the LCD indicator “MEMORY” will blink.
3. Within 5 seconds , press M+ (9) or M- (13) to search any free channel. Press MEMORY button again to store the station.
4. When new frequency is selected, the old memory in the channel will be erased.
5. Press M+ (9) or M-(13) to call for the preset stations.

Use of Antenna :

1. MW : The built-in magnetic antenna inside the radio is used. Rotate body to get best reception.
(Picture 1 on p.13)
2. FM/SW : The earphone works as antenna. Try different position to get the best reception
(Picture 2)

Time setting

Time 1 Setting :

1. Insert the battery , the “12:00” will display.
2. Press the BAND/Dual Time Switch (15) to select between Time 1 or Time 2 .
3. Select Time 1, press MEMORY/Time Set key (17) , the no shown in LCD will blink for 5 seconds.
Press UP/Hr 11) to set the hour and DOWN/Min (12) to set the minute.
4. You need to turn off the radio to see the time. Press the BAND/Dual Time Switch (15) to change between Time 1 and 2.

Time 2 Setting :

1. Under the clock mode, press BAND/Dual Time Switch (15) to select Time 2.
2. Press MEMORY/Time Set key (17) , the no shown in LCD will blink for 5 seconds. Press UP/Hr (11) to set the hour and DOWN/Min (12) to set the minute.
3. This unit adopts 12 hours time system.

Alarm :

1. Under Time 1, press AL ON (14) once, the alarm icon and “12:00” will appear.

2. Within 5 seconds , press the UP/Hr (11) and DOWN/ Min (12) to set the alarm time. If you see the AL ON icon , the alarm function is turn on.
3. The radio will turn on automatically upon the preset time. Do the procedures once again to turn on the alarm function.
4. Press the AL ON (14) button twice to turn off the alarm function.

Specifications :

1. Frequency Range
 - FM 87.5-108 MHz
 - AM 520 - 1620 KHz
 - SW 5.95 – 15.60 MHz
2. Memory preset (30)
 - FM 10 , AM 10, SW 10
3. Noise Limit Sensitivity
 - FM $\leq 20\mu\text{V}$
 - AM $\leq 5\text{mV/m}$
 - SW $\leq 100\mu\text{V}$
4. Single Signal Selectivity $\geq 16\text{dB}$
5. Power : 2 x AA batteries
6. Maximum power consumption : 200mA
7. Speaker : 45mm/16ohm/0.5W
8. Earphone jack : 3.5mm 32ohm
9. Measurement : 97 x 65 x 18 mm
10. Weight : 95g (excluding batteries)