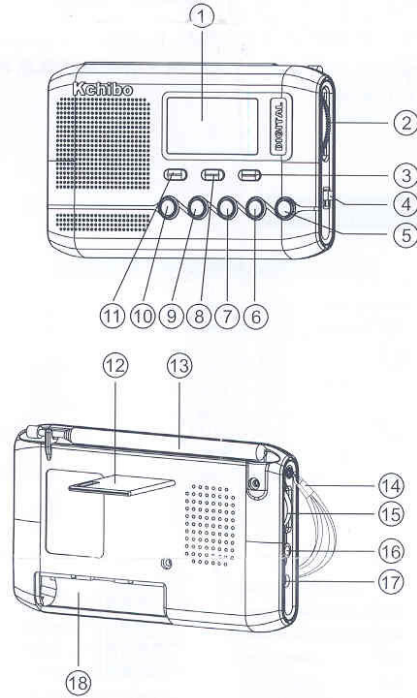


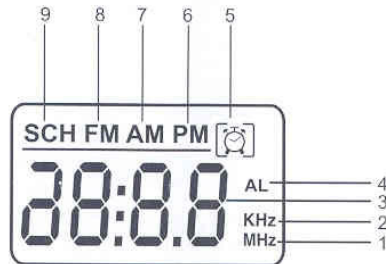
Kchibo KK-622 User's Manual

Picture Illustration



1. LCD Display	10. AI On/Off
2. Tuning Switch	11. Hour Set
3. Time Set	12. Supporting Rack
4. FM/SCH	13. Telescopic Antenna
5. Power Off	14. Hand Strap
6. FM Power On	15. Volume Control
7. AM Power Off	16. Earphone Jack
8. Min Set	17. D.C. Jack
9. Alarm Set	18. Battery Compartment

LCD Display



1. FM/SCH Unit	6. P.M.
2. AM Unit	7. A.M./AM
3. Frequency / Time Display	8. FM
4. AL Set	9. SCH
5. AL On	

Radio Operation

1. Press FM Power button (6) to switch on the radio. You may switch button(4) to turn to FM or SCH stations.
2. Press AM Power button (7) to receive AM stations.
3. Turn the Volume switch (15) to set the desired volume.
4. Rotate the Tuning switch (2) to the desired station.
5. You can plug in the earphones for listening. Under this case, the earphones also serve as FM antenna.
6. Press Power Off button (5) to turn off the radio.

Use of Antenna

1. For AM reception, you may rotate the radio for better reception.
2. For FM reception, extend the antenna and try different angles.

Time Setting

1. After the batteries are installed, “12:00” will be displayed.
2. Press and hold the Time Set button (3). Press the Hour Set button (11) or Min Set button (8) to set the hour and minute respectively.
3. You may need to turn off the radio if you would like to check the time during radio operation.
4. 12 hours format is adopted.

Alarm Set

1. Under the clock mode, press and hold the Alarm Set button (9). The “AL” and the “7:00” will be displayed.
2. Press the hold the Alarm Set button (9) and at the same time press the Hour Set (11) or the Min Set (8) to set the alarm hour and minute respectively.

3. Under the radio time, press and hold the Alarm Set button (9) to check the preset alarm time.

Alarm On/Off

1. Set the alarm time as above and make sure the radio is in clock mode.
2. Press the Alarm On/Off button (10). You will see the “alarm clock” icon appear. The radio will automatically turn on at the preset time.
3. If you would like to turn off the radio, press the Alarm On/Off button (10) to shut off the radio.
4. The radio will turn off after one hour’s operation.

Specifications

1. Frequency
 - FM : 76-108 MHz
 - SCH 64-76 MHz
 - AM : 526.50 – 1606.5 KHz
2. Sensitivity
 - FM $\leq 20\mu\text{V}$
 - AM $\leq 4\text{mV/m}$
3. Selectivity $\leq 10\text{ dB}$
4. Power supply : 2 x AAA batteries or 3V D.C.
5. Power consumption $< 150\text{mA}$
6. Speaker : 40mm 6ohm 0.25W
7. Earphone : 3.5mm 32 ohm
8. Measurement : 102 x 63 x 18 mm
9. Weight : 92g (excluding batteries)